

## Сенсорный пульт Mini SR-2810W (RGB 4 зоны) Контроллер Mini SR-1007FA (12-36V, 180-540W, 3CH)



### FEATURE

- Programmable
- Control 4 zones
- RF Remote control
- RGB & Mixed White color
- 3 Running modes

### PARAMETER

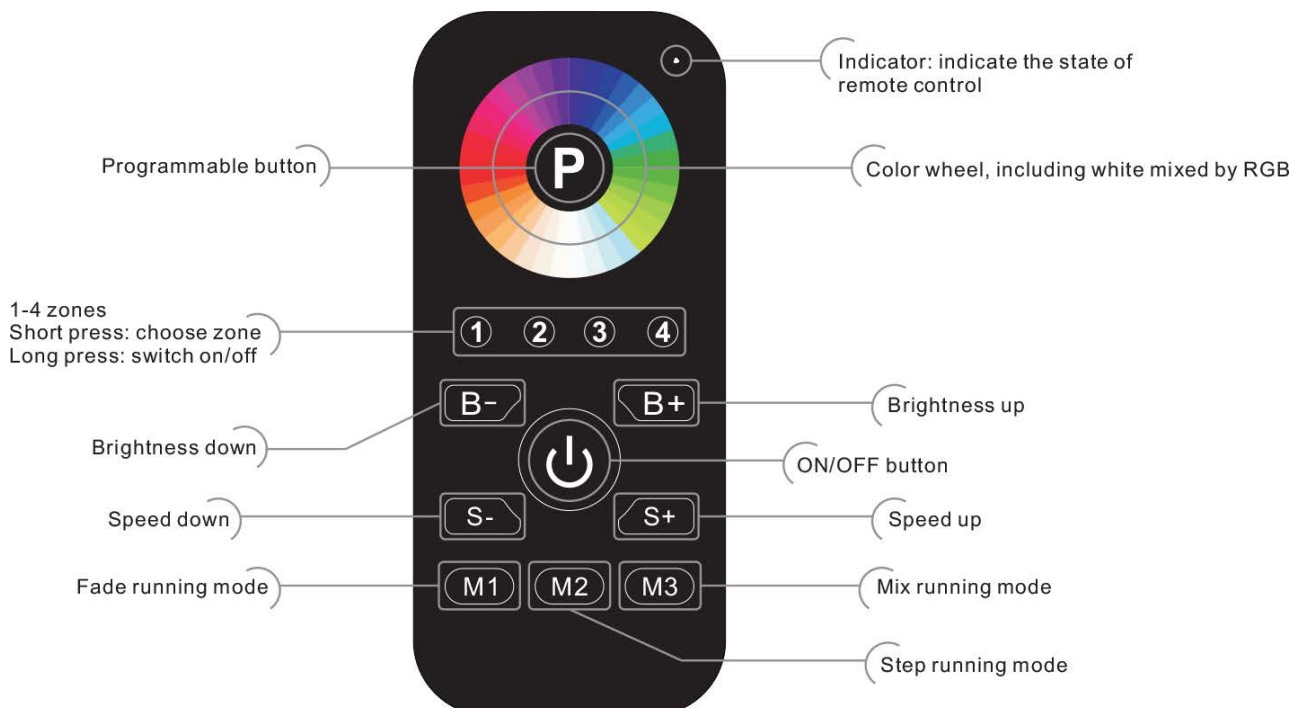
#### • Remote

Part No.	Operation Voltage	Operation Frequency	Dimension $\varnothing$ /h (mm)	Remarks
SR-2810W	4.5VDC	868MHz	55x120x17	load 3pcs 7 AAA (1.5V) batteries

#### • Receiver

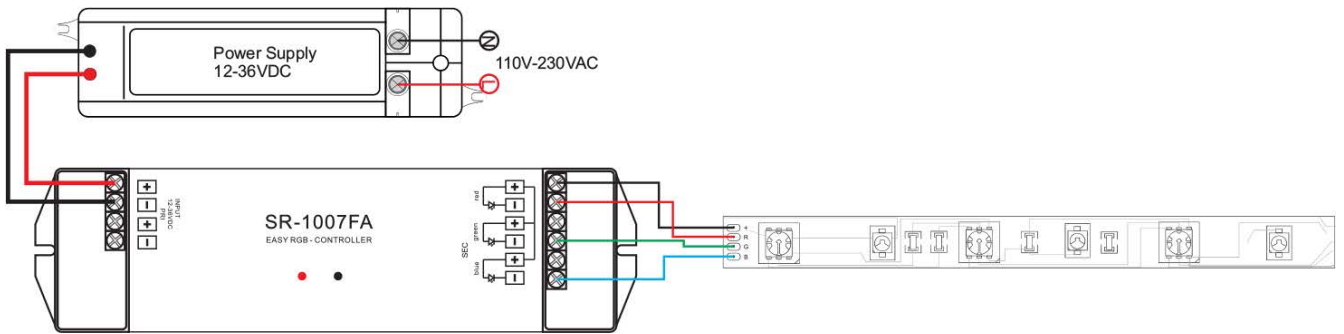
Part No.	Iuput Voltage	Current	Output	Remarks
SR-1007FA	12-36VDC	3x5A	3x(60-180)W	Constant voltage

### BRIEF INTRODUCTION OF BUTTONS

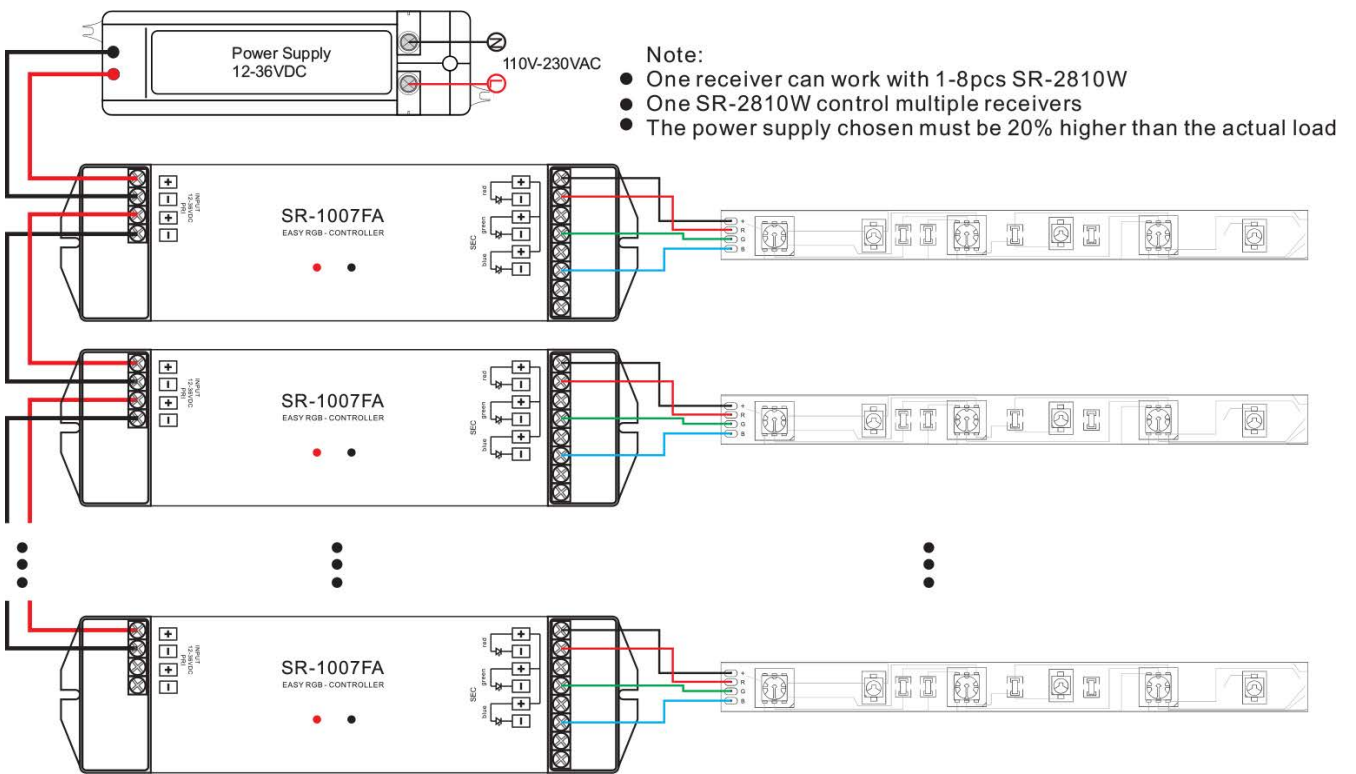


## WIRING DIAGRAM

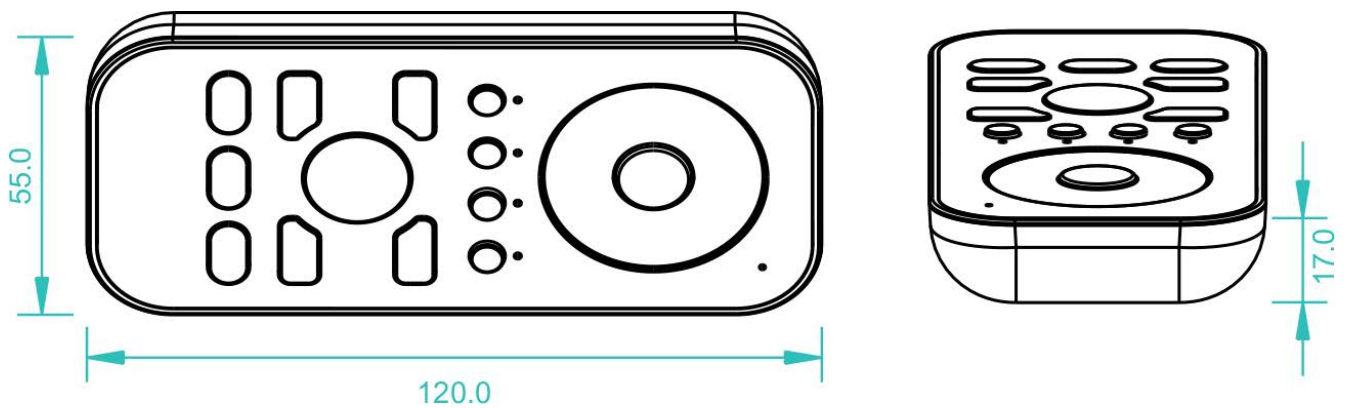
### Receiver Connection Diagram for Single Unit



### Receiver Connection Diagram for Multiple Units



## PRODUCT SIZE



## OPERATION

### 1. Learning receivers ID to remote

- a. Press learning button on the receiver (the indicator will be on)
- b. Choose a zone number on the remote
- c. Touch the color wheel

**Note:**

- *The remote must be on before learning ID*
- *Enable to assign multiple receivers to the same zone number, those receivers will be controlled synchronously.*
- *Long press the learning button over 5 seconds until the indicator off, the learned ID will be deleted.*

### 2. How to program?

- a. Press "P"
- b. Touch color wheel to choose a period of color or several colors you want
- c. Choose the zone number on remote
- d. Touch M1 or M2 or M3 to choose the mode you want the colors to play

**Note:**

- *The remote must be on, when program*
- *Default setting of mode speed is slowest, you can touch "S+" to speed up*
- *Enable only to program 4 zones separately, can't program 4 zones together at one time.*

## SAFETY & WARNINGS

1. The product shall be installed and serviced by a qualified person.
2. IP20. Please avoid the sun and rain. When installed outdoors, please ensure it is mounted in a water proof enclosure.
3. Always be sure to mount this unit in an area with proper ventilation to avoid overheating.
4. Please check if the output voltage of any LED power supplies used comply with the working voltage of the product.
5. Never connect any cables while power is on and always assure correct connections to avoid short circuits before switching on.
6. Please ensure that the cable is secured tightly in the connector
7. For update information please consult your supplier.